

NOSE CREEK METALS

Company:

Contact:

Phone:

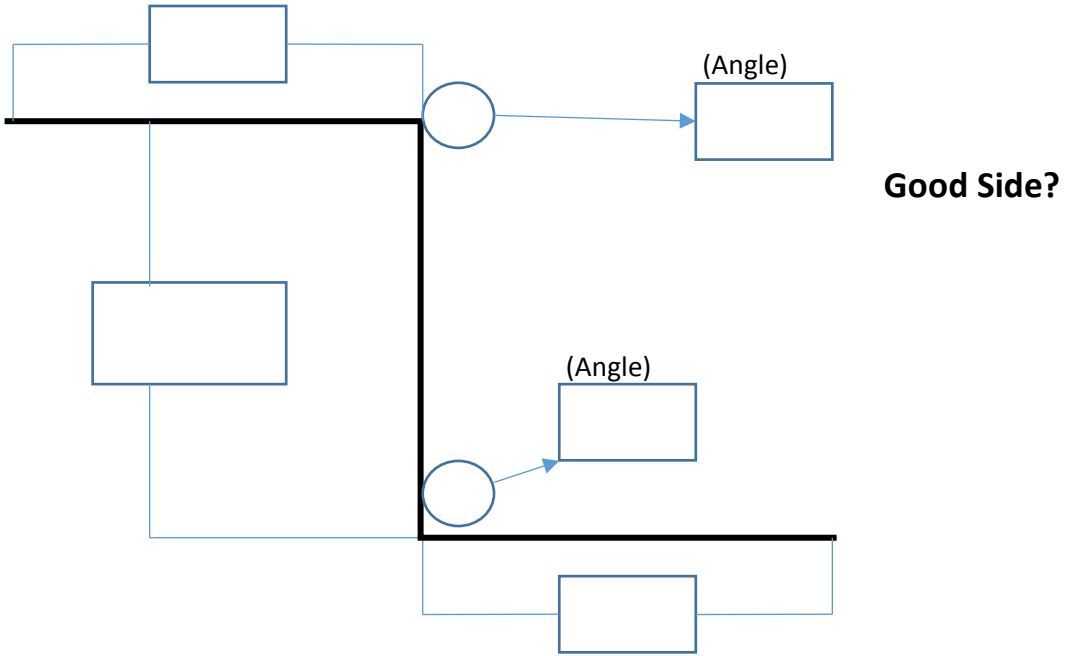
E-Mail:

Project:

P.O. #:

Quote Only:

Date:



Good Side?

Z-FLASHING

Material:	Aluminum	Galvanized	Stainless	Prepainted Steel
Colour:	<input type="text"/>	<input type="text"/>	<input type="text"/>	<input type="text"/>
Gauge:	<input type="text"/>	<input type="text"/>	<input type="text"/>	<input type="text"/>

Length:
(Maxi 120")

Quantity:

Notes:

Bay 8, 4639 6 Street NE, Calgary, AB T2E 3Z6

Ph: (403) 277-7505 Fax: (403) 277-4227

admin@nosecreekmetals.com